

2026

Boats Catalog

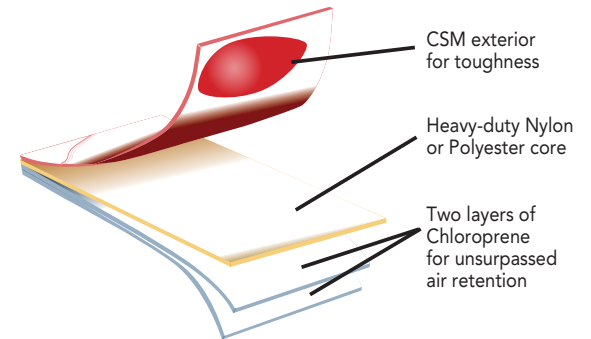




THE BEST NAME YOU CAN PUT ON INFLATABLE BOAT

The Achilles boating experience begins with the best inflatable boat fabric, designs and options and ends with unsurpassed customer support for as long as you own your boat. In between you will enjoy years of on-the-water activities in the most durable inflatable boat you can find.

It begins with the best fabric: Our quality CSM fabric has such a great reputation in the inflatable boat industry that other inflatable boat manufacturers buy their fabric from us. It all starts with an exterior coating of our custom CSM over a heavy duty fabric which makes our inflatables virtually impervious to the elements, oil, gasoline and abrasions. It ends with two interior coatings of Chloroprene for unsurpassed air retention.



Designed and built with safety and performance in mind: From built-in safety features like the strongest four-layer seam construction in the industry to custom designs engineered to complement and enhance the performance of each of our boats, boaters get more out of an Achilles. Our boats are built to not only last, but also deliver the practicality you expect from an inflatable without sacrificing the performance you want from any boat.

DINGHIES PAGES 4-5



LT Series



LS-RU Series

SPORT TENDERS PAGES 6-9



LEX Series



SPD-E Series



LSI-E Series



LSR-Eseries

GREAT QUALITY IN COMPACT PACKAGES THAT ARE EASY TO CARRY, STORE AND INFLATE.

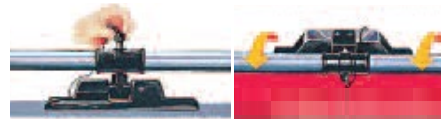
A FUNCTIONAL, VERSATILE, SPORTY LINEUP OFFERING A VARIETY OF FLOOR AND DESIGN OPTIONS

Because our boats last, so does our support. We provide our dealers and customers with comprehensive and responsive post-sales support in every aspect of Achilles ownership. Our customer and mobile-friendly web site not only offers comprehensive information about our current models, but also on all Achilles boats produced since 1978.

Full five years warranty on fabric and seams. We back our claim to having superior fabric and construction with a strong warranty commitment.

FULL FIVE-YEAR WARRANTY ON FABRIC AND SEAMS

We back our claim to having superior fabric and construction with a strong warranty commitment.



Unsurpassed Seam Construction

Our seams are overlapped a full inch and reinforced with seam tape both inside and out. No one else takes so many steps to ensure seams will last.

A smooth, simple Oar system:

We invented the folddown, locking oar system that makes rowing a breeze while keeping oars secured and out of the way when not in use.



Non-Corrosive Check Valves: All Achilles valves are noncorrosive with no moving parts that might break. They are engineered for easy "one-way" inflation and instant deflation.

RIGID HULLS PAGES 10-12



HB-FX Series

HB-LX Series

HB-DX Series

SPORT UTILITY PAGES 13-16



FRB Series

SGX Series

SG Series

SU Series

CHOOSE FROM THE INDUSTRY'S MOST COMPLETE LINEUP OF OPEN RIB'S.

HIGH PERFORMANCE INFLATABLE BOATS FOR WORK, PLAY AND ANYTHING IN BETWEEN

LT 2 | 4

A LOT OF QUALITY IN A COMPACT PACKAGE

These two and four person boats go from their handy carry bags to fully equipped dinghies in just minutes. Compact enough to be stored virtually anywhere, they are safe, durable and dependable dinghies capable of carrying substantial loads. They come fully equipped with fold-down oar system, wood seat, fold-up floor and motor mount. Even though they are our most economical boats, they are made with the same durable Achilles CSM fabric and four-layer seam construction, and backed by the same five-year warranty as our large sport boats.



LT-4



LT-2



MODEL	COLOR	LENGTH	INSIDE LENGTH	BEAM	INSIDE BEAM	TUBE DIAMETER	WEIGHT	LOAD CAPACITY	PERSON CAPACITY	RECOMMENDED H.P.	MAXIMUM H.P.	AIR CHAMBERS
LS2-RU	Lt. Gray/Navy Blue	7'6" (228 cm)	5'1" (156 cm)	4'4" (132 cm)	2' (62 cm)	14" (35 cm)	57 lbs (25.5 kg)	620 lbs (280 kg)	2	4 (2-4) Standard	4 Standard	2
LS4-RU	Lt. Gray/Navy Blue	8'8" (265 cm)	6'1" (185 cm)	4'8" (142 cm)	2'2" (66 cm)	15" (38 cm)	66 lbs (30 kg)	840 lbs (380 kg)	4	4 (2-6) Standard	6 Standard	2

LT STANDARD FEATURES INCLUDE: Achilles CSM reinforced fabric; four-layer seam construction; wood/Achilles CSM roll-up floor (LT-4); hinged wood floor (LT-2); full-length rubbing strake; fold-down locking oar system with two-piece breakdown aluminum oars and oar holders; bow D-ring (LT-2); towing bridle D-rings (LT-4); life lines with hand loops; removable wood rowing seat; motor mount; foot pump; carry bag; and maintenance kit.

LS-RU 2 | 4

UNSURPASSED CONVENIENCE OF A LIGHTWEIGHT, ROLL-UP TENDER

Both our LS-RU rollup tenders can be stowed in a space just 10" high. With a roll-up wood/Achilles CSM fabric floor and solid transom, they can be inflated and ready to go in minutes. When they are, they deliver surprisingly large load and person capacities. Easy to carry, easy to set up, easy to store – the LS-RU.



LS4-RU



LS4-RU



MODEL	COLOR	LENGTH	INSIDE LENGTH	BEAM	INSIDE BEAM	TUBE DIAMETER	WEIGHT	LOAD CAPACITY	PERSON CAPACITY	RECOMMENDED H.P.	MAXIMUM H.P.	AIR CHAMBERS
LS2-RU	Lt. Gray/Navy Blue	7'6" (228 cm)	5'1" (156 cm)	4'4" (132 cm)	2' (62 cm)	14" (35 cm)	57 lbs (25.5 kg)	620 lbs (280 kg)	2	4 (2-4) Standard	4 Standard	2
LS4-RU	Lt. Gray/Navy Blue	8'8" (265 cm)	6'1" (185 cm)	4'8" (142 cm)	2'2" (66 cm)	15" (38 cm)	66 lbs (30 kg)	840 lbs (380 kg)	4	4 (2-6) Standard	6 Standard	2

LS-RU STANDARD FEATURES INCLUDE: Achilles CSM reinforced fabric; four-layer seam construction; wood/Achilles CSM roll-up floor; full-length rubbing strake; fold-down locking oar system with two-piece breakdown aluminum oars and oar holders; protective motor clamp plate; removable wood rowing seat; bailer valve; life lines; towing bridle D-rings; foot pump; carry bag; and maintenance kit.

LEX 77 | 88 | 96

THE CLASSIC INFLATABLE LOOK AND FUNCTIONALITY

LEX boats represent the culmination of many subtle refinements over the years that have kept them current while maintaining their traditional appearance. A sleek bow design and ample interior space come together in this classic tender. A teardrop rub strake deflects spray and improves protection from the inevitable collisions with docks and boat hulls. Additional features include a painted wood seat and a full sectional wood floor. They all add up to a solid, reliable tender that combines practicality and performance in an economical package.



LEX-88



LEX-88



MODEL	COLOR	LENGTH	INSIDE LENGTH	BEAM	INSIDE BEAM	TUBE DIAMETER	WEIGHT	LOAD CAPACITY	PERSON CAPACITY	RECOMMENDED H.P.	MAXIMUM H.P.	AIR CHAMBERS
LEX-77	Lt. Gray	7'7" (230 cm)	4'11" (149 cm)	4'9" (144 cm)	2'2" (66 cm)	15.5" (39 cm)	62 lbs (28 kg)	730 lbs (330 kg)	2	4 (2-4) Standard	4 Standard	2 & Keel
LEX-88	Lt. Gray	8'8" (265 cm)	5'11" (180 cm)	4'9" (144 cm)	2'2" (66 cm)	15.5" (39 cm)	69 lbs (31 kg)	900 lbs (410 kg)	4	4 (2-6) Standard	6 Standard	2 & Keel
LEX-96	Lt. Gray	9'6" (290 cm)	6'9" (205 cm)	4'9" (144 cm)	2'2" (66 cm)	15.5" (39 cm)	74 lbs (33.5 kg)	990 lbs (450 kg)	4	6 (4-8) Standard	8 Standard	2 & Keel

LS-RU STANDARD FEATURES INCLUDE: Achilles CSM reinforced fabric; four-layer seam construction; wood/Achilles CSM roll-up floor; full-length rubbing strake; fold-down locking oar system with two-piece breakdown aluminum oars and oar holders; protective motor clamp plate; removable wood rowing seat; bailer valve; life lines; towing bridle D-rings; foot pump; carry bag; and maintenance kit.

SPD-E

290 | 310 | 330

THIS LONGTIME LINEUP STAPLE IS NOW BETTER THAN EVER

We have never stopped improving our SPD boats, which is why they have remained popular with boaters for so long. That commitment continues with recent design enhancements. Lateral seam tube construction gives these classic inflatables a more modern, stylish look. Rope lifelines are replaced with webbed handles and a helmsman grip for a cleaner appearance. The three rear floorboards are now aluminum to reduce maintenance and increase durability. The classic features boaters love remain: large diameter tubes for greater load capacity and performance, a removable aluminum rowing seat, and an air keel/floor joint system for a more rigid floor.



SPD-E 290



SPD-E 290



MODEL	COLOR	LENGTH	INSIDE LENGTH	BEAM	INSIDE BEAM	TUBE DIAMETER	WEIGHT	LOAD CAPACITY	PERSON CAPACITY	RECOMMENDED H.P.	MAXIMUM H.P.	AIR CHAMBERS
SPD-290E	Lt. Gray	9'6" (290 cm)	6'9" (205 cm)	5'2" (158 cm)	2'4" (72 cm)	17" (43 cm)	106 lbs (48 kg)	1100 lbs (500 kg)	4	6 (4-8) Standard	8 Standard	2 & Keel
SPD-310E	Lt. Gray	10'2" (310 cm)	7'3" (220 cm)	5'2" (158 cm)	2'4" (72 cm)	17" (43 cm)	110 lbs (50 kg)	1190 lbs (540 kg)	4	8 (4-10) Standard	10 Standard	3 & Keel
SPD-330E	Lt. Gray	10'8" (325 cm)	7'5" (226 cm)	5'6" (168 cm)	2'7" (78 cm)	18" (45 cm)	120 lbs (54.5 kg)	1300 lbs (590 kg)	5	15 (4-20) Standard	20 Standard	3 & Keel

SPD STANDARD FEATURES INCLUDE: Achilles CSM reinforced fabric; four-layer seam construction; aluminum and wood floorboards; aluminum stringers and floorboard joints; air keel; fold-down locking oar system with two-piece breakdown aluminum oars and oar holders; bow carry handle; towing bridle D-rings; interior bow lifting D-ring; removable aluminum rowing seat; extra seat attachment patches; webbed passenger, helmsman, and rear carry handles; full length teardrop rubbing strake; fiberglass coated v-shaped transom; bailer valve; foot pump; carry bag (2 bags for the SPD-330E); and maintenance kit.

LSI-E

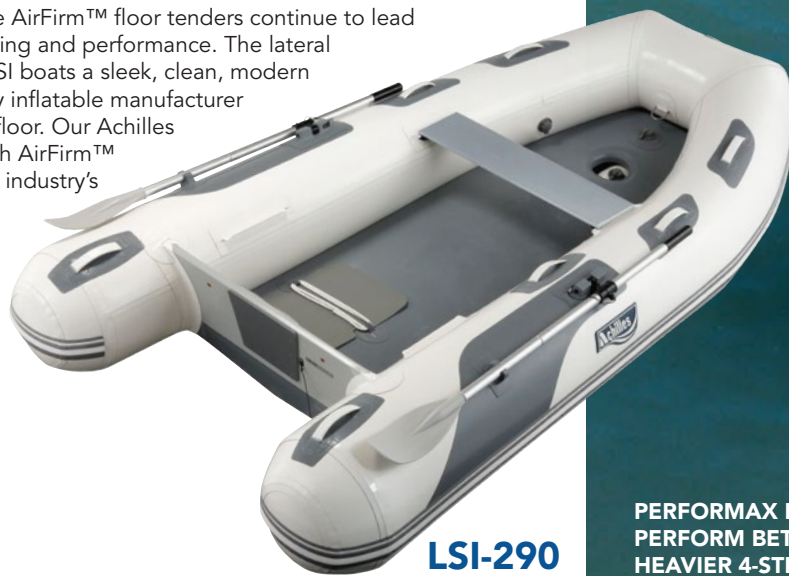
230 | 260 | 290
310 | 330 | 360

MADE WITH ACHILLES HIGH PRESSURE CSM-REINFORCED AIRFIRM™ FLOORS ARE BETTER THAN EVER

The world's best high-pressure AirFirm™ floor tenders continue to lead the industry in innovation, styling and performance. The lateral seam tube design gives our LSI boats a sleek, clean, modern look. Achilles remains the only inflatable manufacturer with a CSM high-pressure air floor. Our Achilles high pressure, CSM drop-stitch AirFirm™ floors continue to provide the industry's toughest air decks.



LSI-290



LSI-290

EXTRA SEAT ATTACHMENT PATCHES ARE STANDARD ON LSI-290E, 310E, 330E & 360E.



PERFORMAX END CONES PERFORM BETTER WITH TODAY'S HEAVIER 4-STROKE MOTORS

MODEL	COLOR	LENGTH	INSIDE LENGTH	BEAM	INSIDE BEAM	TUBE DIAMETER	WEIGHT	LOAD CAPACITY	PERSON CAPACITY	RECOMMENDED H.P.	MAXIMUM H.P.	AIR CHAMBERS
LSI-230E	Lt. Gray	7'7" (230 cm)	5'1" (155 cm)	4'9" (144 cm)	2'2" (66 cm)	15.5" (39 cm)	55 lbs (25 kg)	710 lbs (320 kg)	2	4 (2-4) Standard	4	2 & Keel & Floor
LSI-260E	White or Lt. Gray	8'6" (260 cm)	6'1" (185 cm)	4'9" (144 cm)	2'2" (66 cm)	15.5" (39 cm)	64 lbs (29 kg)	820 lbs (370 kg)	4	4 (2-6) Standard	6	2 & Keel & Floor
LSI-290E	White or Lt. Gray	9'6" (290 cm)	6'9" (205 cm)	5'2" (158 cm)	2'4" (72 cm)	17" (43 cm)	77 lbs (35 kg)	1120 lbs (510 kg)	4	6 (4-8) Standard	8	2 & Keel & Floor
LSI-310E	White or Lt. Gray	10'2" (310 cm)	7'3" (220 cm)	5'2" (158 cm)	2'4" (72 cm)	17" (43 cm)	80 lbs (36.5 kg)	1210 lbs (550 kg)	4	8 (4-10) Standard	10	3 & Keel & Floor
LSI-330E	Lt. Gray	10'8" (325 cm)	7'5" (226 cm)	5'6" (168 cm)	2'7" (78 cm)	18" (45 cm)	86 lbs (39 kg)	1340 lbs (610 kg)	5	10 (4-15) Standard	15	3 & Keel & Floor
LSI-360E	Lt. Gray	11'10" (360 cm)	8'10" (268 cm)	5'6" (168 cm)	2'7" (78 cm)	18" (45 cm)	108 lbs (49 kg)	1520 lbs (690 kg)	6	20 (4-25) Standard	25	4 & Keel & Floor

LSI STANDARD FEATURES INCLUDE: Achilles CSM-reinforced fabric; four-layer seam construction; removable Achilles CSM high-pressure drop stitch air floor; fold-down locking oar system with two-piece breakdown aluminum oars and oar holders; full length teardrop rubbing strake; bow carry handle; towing bridle D-rings; interior bow lifting D-ring (except LSI-230E and LSI-360E); removable aluminum rowing seat (LSI-360E has a wood seat); bailer valve; high volume/high pressure foot pump with pressure gauge; protective pad for gas tank; fiberglass encased v-shaped transom; air keel; extra seat attachment patches on LSI-290E, LSI-310E, LSI-330E and LSI-360E; webbed passenger, helmsman, and rear carry handles on LSI-230E, LSI-260E, LSI-290E, and LSI-310E; (LSI-330E and LSI-360E have molded rear carry handles, and LSI-360E has a molded helmsman grip).

LSR-E 290 | 310

THE CONVENIENCE OF AN ALUMINUM FLOOR THAT CAN STILL ROLL UP

These super convenient boats feature a unique aluminum rollup floor which makes it a snap to get them in and out of the water quickly and easily. This is combined with an inflatable keel and V-shaped fiberglass-encased transom to enhance performance. Large 17" tubes allow the LSR tenders to carry heavy loads. Add in the improved performance provided by the Performax end cone design, and you have a roll-up tender that is tough to beat.



LSR-290



LSR-E 290

ALUMINUM SEATS
ARE STANDARD ON
ALL LSR MODELS.



SET UP IS QUICK AND EASY!



MODEL	COLOR	LENGTH	INSIDE LENGTH	BEAM	INSIDE BEAM	TUBE DIAMETER	WEIGHT	LOAD CAPACITY	PERSON CAPACITY	RECOMMENDED H.P.	MAXIMUM H.P.	AIR CHAMBERS
LSR-290E	Lt. Gray	9'6" (290 cm)	6'9" (205 cm)	5'2" (158 cm)	2'4" (72 cm)	17" (43 cm)	97 lbs (44 kg)	1,100 lbs (500 kg)	4	6 (4-8) Standard	8 Standard	2 & Keel
LSR-310E	Lt. Gray	10'2" (310 cm)	7'3" (220 cm)	5'2" (158 cm)	2'4" (72 cm)	17" (43 cm)	101 lbs (46 kg)	1,190 lbs (540 kg)	4	8 (4-10) Standard	10 Standard	3 & Keel

LSR STANDARD FEATURES INCLUDE: Achilles CSM reinforced fabric; four-layer seam construction; air keel; aluminum roll-up floor; fiberglass encased v-shaped transom; full length teardrop rubbing strake; bow carry handle; interior bow lifting D-ring; fold-down locking oar system with two-piece breakdown aluminum oars and oar holders; towing bridle D-rings; removable aluminum rowing seat; extra seat attachment patches; webbed passenger, helmsman, and rear carry handles; protective motor clamp plate; bailer valve; foot pump; carry bag; and maintenance kit.

HB-FX 270 | 300

A RIGID HULL BOAT THAT'S EASY TO TRANSPORT, CARRY, AND LAUNCH

The Achilles HB-FX boats feature a unique folding transom, lightweight design, and full-length carry bag that combine to make these rigid hull models the easiest to transport and launch. Despite their lighter weight, both these popular FX models offer large load capacities and the ability to carry four people. The Achilles HB-FX series offers boaters the most versatile and convenient RIBs available.



HB-300FX



HB-270FX



MODEL	COLOR	LENGTH	INSIDE LENGTH	BEAM	INSIDE BEAM	TUBE DIAMETER	WEIGHT	LOAD CAPACITY	PERSON CAPACITY	RECOMMENDED H.P.	MAXIMUM H.P.	AIR CHAMBERS
HB-270FX	Pearl Gray	8'10" (270 cm)	5'11" (180 cm)	5'1" (156 cm)	2'3" (70 cm)	17" (43 cm)	86 lbs (39 kg)	1010 lbs (460 kg)	4	6 (4-8) Standard	8 Standard	3
HB-300FX	Pearl Gray	9'10" (300 cm)	6'9" (205 cm)	5'4" (162 cm)	2'4" (72 cm)	18" (45 cm)	91 lbs (41.5 kg)	1260 lbs (570 kg)	4	8 (4-10) Standard	10 Standard	3

HB-FX STANDARD FEATURES INCLUDE: Achilles CSM reinforced fabric; four-layer seam construction; modified "V" fiberglass hull; folding fiberglass encased transom; full length carry bag; full length teardrop rubbing strake; towing bridle D-rings; stainless steel bow eye; inside bow davit lifting eye; bow carry handle; webbed passenger, helmsman, and rear carry handles; fold-down locking oar system with two-piece breakdown aluminum oars and oar holders; interior oar straps (HB-300FX only); gas tank tie down hardware; protective transom motor clamp plate; removable aluminum seat; extra seat attachment patches (HB-300FX only); bailer valve; foot pump; and maintenance kit.

HB-LX 240 | 280 315 | 350

A LIGHTWEIGHT SERIES PACKED WITH HIGH PERFORMANCE FEATURES

The Achilles HB-LX boats provide the critically acclaimed performance of the Achilles HB-DX deep "V" fiberglass hull design in a lighter RIB. They also have the same tube design as the HB-DX series, yet a modification of the deck design and removing the bow locker results in a RIB that is on average 25% lighter than the same size HB-DX model. This means they can perform better with smaller engines and can be carried or transported more easily. Despite their lighter weight and lower cost compared to the HB-DX series, they are still loaded with all the high quality standard features for which Achilles is known.



MODEL	COLOR	LENGTH	INSIDE LENGTH	BEAM	INSIDE BEAM	TUBE DIAMETER	WEIGHT	LOAD CAPACITY	PERSON CAPACITY	RECOMMENDED H.P.	MAXIMUM H.P.	AIR CHAMBERS
HB-240LX	Pearl Gray	7'10" (240 cm)	5'8" (172 cm)	5' (153 cm)	2'5" (73 cm)	16" (40 cm)	86 lbs (39 kg)	900 lbs (410 kg)	3	5 (2-5) Standard	5 Standard	2
HB-280LX	Pearl Gray	9'2" (280 cm)	6'7" (201 cm)	5'5" (166 cm)	2'7" (80 cm)	17" (43 cm)	118 lbs (53.5 kg)	1210 lbs (550 kg)	4	8 (4-10) Standard	10 Standard	3
HB-315LX	Pearl Gray	10'4" (315 cm)	7'9" (235 cm)	5'5" (166 cm)	2'7" (80 cm)	17" (43 cm)	128 lbs (58 kg)	1320 lbs (600 kg)	5	10 (4-15) Standard	15 Standard	3
HB-350LX	Pearl Gray	11'6" (350 cm)	8'8" (264 cm)	5'9" (175 cm)	2'9" (85 cm)	18" (45 cm)	161 lbs (73 kg)	1680 lbs (760 kg)	6	15 (6-20) Standard	20 Standard	3

HB-LX STANDARD FEATURES INCLUDE: Achilles CSM reinforced fabric; four-layer seam construction; deep "V" fiberglass hull; full length teardrop rubbing strake; removable aluminum rowing seat (except HB-240LX which has a wooden seat); towing bridle D-rings; stainless bow eye; lifting hardware for davits; bow carry handle; webbed passenger, helmsman, and rear carry handles; interior oar straps (except HB-240LX); fold-down locking oar system with two-piece breakdown aluminum oars and oar holders; gas tank tie down hardware; protective transom motor clamp plate; extra seat attachment patches (except HB-240LX); bailer valve; foot pump; and maintenance kit.

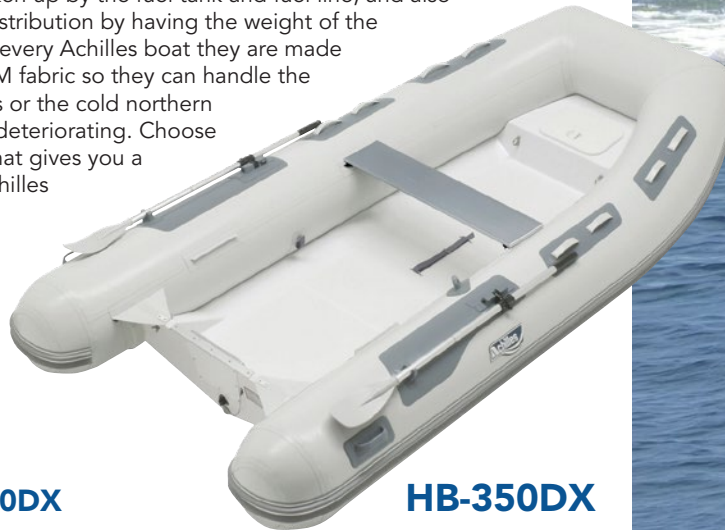
HB-DX 280 | 315 350 | 385

A RIGID-HULLED INFLATABLE THAT GIVES YOU A LITTLE EXTRA

If you want to take a step above the norm in a hard-bottom tender, step up to a deep "V" fiberglass hulled Achilles HB-DX. We've added a vented bow locker that can accommodate a gas tank while also serving as a seat to these sleek, topline RIBs. A sealed tube from the bow locker to the transom drain allows a fuel line to be run under the deck. This frees up deck space previously taken up by the fuel tank and fuel line, and also provides better weight distribution by having the weight of the gas tank in the bow. Like every Achilles boat they are made with our own Achilles CSM fabric so they can handle the burning sun of the tropics or the cold northern waters without fading or deteriorating. Choose a rigid-hulled inflatable that gives you a little extra. Choose an Achilles HB-DX.



HB-280DX



HB-350DX



MODEL	COLOR	LENGTH	INSIDE LENGTH	BEAM	INSIDE BEAM	TUBE DIAMETER	WEIGHT	LOAD CAPACITY	PERSON CAPACITY	RECOMMENDED H.P.	MAXIMUM H.P.	AIR CHAMBERS
HB-280DX	Pearl Gray	9'2" (280 cm)	6'7" (201 cm)	5'5" (166 cm)	2'7" (80 cm)	17" (43 cm)	160 lbs (73 kg)	1190 lbs (540 kg)	4	10 (4-15) Standard	15 Standard**	3
HB-315DX	Pearl Gray	10'4" (315 cm)	7'9" (235 cm)	5'5" (166 cm)	2'7" (80 cm)	17" (43 cm)	176 lbs (80 kg)	1300 lbs (590 kg)	5	15 (6-20) Standard	20 Standard	3
HB-350DX	Pearl Gray	11'6" (350 cm)	8'8" (264 cm)	5'9" (175 cm)	2'9" (85 cm)	18" (45 cm)	211 lbs (96 kg)	1650 lbs (750 kg)	6	25 (6-30) Long	30 Long	3
HB-385DX	Pearl Gray	12'8" (385 cm)	9'10" (300 cm)	5'11" (180 cm)	2'11" (90 cm)	18" (45 cm)	256 lbs (116 kg)	1790 lbs (810 kg)	7	30 (20-40) Long	40 Long	4

HB-DX STANDARD FEATURES INCLUDE: Achilles CSM reinforced fabric; four-layer seam construction; deep "V" fiberglass hull; vented bow locker; double heavy duty full length teardrop rubbing strake; extra seat attachment patches; helmsman grip; removable aluminum rowing seat (except HB-385DX which has a wooden seat); towing bridle D-rings; stainless bow eye; lifting hardware for davits; molded rubber bow handle, carry handles, and helmsman grip; webbed passenger handles; interior oar straps; fold-down locking oar system with two-piece breakdown aluminum oars and oar holders (HB-385DX has paddle); gas tank tie down hardware; protective transom motor clamp plate; bailer valve; foot pump; and maintenance kit.

FRB 104 | 124

A VERSATILE UTILITY BOAT THAT'S READY TO GO IN MINUTES

Designed originally as rapid response boats for fire departments and rescue units, these unique aluminum roll up floors with an innovative hinge system and non-skid panels can perform a variety of functions. They are easy to store or carry and can be set up in minutes. The main air chambers are equipped with over pressure relief valves so they can be inflated either by compressed air bottles or the standard equipment foot pump. In addition to their Achilles CSM fabric and four-layer seam construction, other special features like abrasion wear patches and removable storage bags make them practical alternatives for tackling a range of jobs on the water.



FRB-124



FRB-104



MODEL	COLOR	LENGTH	INSIDE LENGTH	BEAM	INSIDE BEAM	TUBE DIAMETER	WEIGHT	LOAD CAPACITY	PERSON CAPACITY	RECOMMENDED H.P.	MAXIMUM H.P.	AIR CHAMBERS
FRB-104	Red	10'4" (315 cm)	7'3" (220 cm)	5'2" (158 cm)	2'4" (72 cm)	17" (43 cm)	108 lbs (49 kg)	1210 lbs (550 kg)	4	10 (4-15) Standard	15 Standard	2 + Keel
FRB-124	Red	12'4" (375 cm)	8'11" (272 cm)	5'3" (161 cm)	2'6" (75 cm)	17" (43 cm)	154 lbs (70 kg)	1,480 lbs (670 kg)	5	15 (4-25) Standard	25 Standard	4 + Keel

FRB STANDARD FEATURES INCLUDE: Achilles CSM reinforced fabric; four-layer seam construction; deep "V" inflatable keel; aluminum roll-up floor with non-skid panels, fiberglass encased v-shaped transom with protective motor clamp plate; two (2) paddles with interior tie downs; towing bridle D-rings; two removable storage bags; full length splash guard with life lines; abrasion patches; five (5) interior tie-down D-rings; full-length teardrop rubbing strake; foot pump and maintenance kit. The FRB-104 has two (2) over pressure relief valves, four lift and carry handles, interior bow lifting D-ring, bailer valve and bailer sleeve. The FRB-124 has four (4) over pressure relief valves, six (6) lift and carry handles, two (2) bailer valves and bailer sleeve.

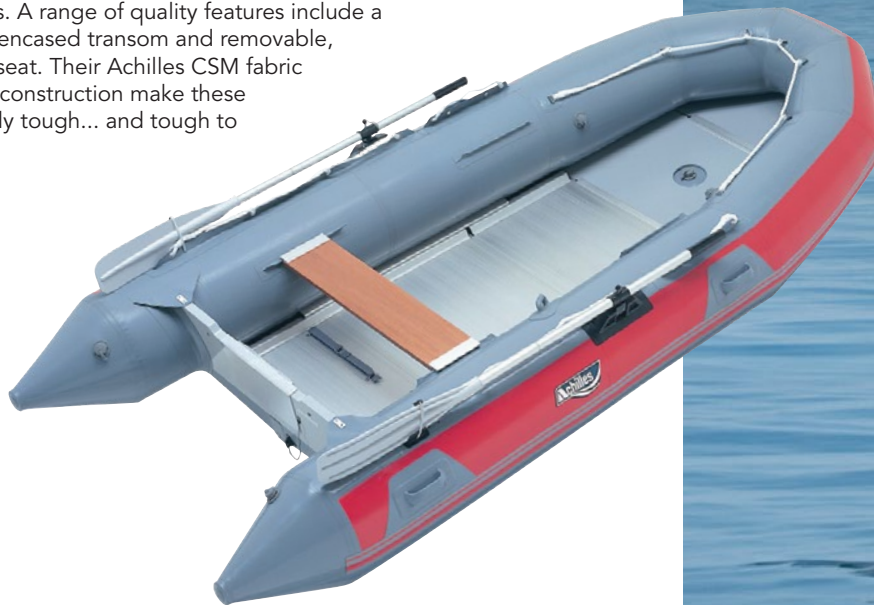
SGX 122 | 132

THESE VERSATILE SPORT BOATS ARE THE PERFECT SOLUTION FOR A RANGE OF USES

The SGX's sporty nature also makes them great runabouts that really perform thanks to their deep "V" inflatable keel and large tube diameters. A range of quality features include a v-shaped fiberglass-encased transom and removable, dual position wood seat. Their Achilles CSM fabric and four-layer seam construction make these sport boats extremely tough... and tough to beat.



SGX-122



SGX-132



MODEL	COLOR	LENGTH	INSIDE LENGTH	BEAM	INSIDE BEAM	TUBE DIAMETER	WEIGHT	LOAD CAPACITY	PERSON CAPACITY	RECOMMENDED H.P.	MAXIMUM H.P.	AIR CHAMBERS
SGX-122	Red/Gray	12'2" (365 cm)	8'10" (268 cm)	5'6" (168 cm)	2'7" (78 cm)	18" (45 cm)	167 lbs (76 kg)	1520 lbs (690 kg)	6	20 (6-35) Standard	35 Standard	4 & Keel
SGX-132	Red/Gray	13'2" (400 cm)	9'4" (284 cm)	5'9" (175 cm)	2'9" (85 cm)	18" (45 cm)	187 lbs (85 kg)	1760 lbs (800 kg)	6	30 (10-40) Long	40 Long	4 & Keel

SGX STANDARD FEATURES INCLUDE: Achilles CSM reinforced fabric; four-layer seam construction; aluminum and wood floorboards with aluminum stringer system; v-shaped fiberglass encased transom; full-length teardrop rubbing strake; deep "V" inflatable keel; towing bridle D-rings; fold-down locking oar system with two-piece breakdown aluminum oars and oar holders; bow handle; four (4) lift and carry handles; helmsman grip; two (2) bailer valves; gas tank tie downs; life lines; removable wood seat; extra seat attachment patches; high-volume foot pump; two carry bags; and maintenance kit.

SG 124 | 140 | 156

THESE "TOP-OF-THE-LINE" MODELS CONTINUE TO SET THE STANDARD FOR INFLATABLE SPORT BOATS

Achilles SG sport boats bring performance and practicality together for better diving, fishing, or all-around sport-boating pleasure. They are also perennial rescue and emergency boat favorites of fire departments, first responders and others around the world. Achilles SG boats offer a roomy, square bow configuration which provides room for extra gear, and an aluminum and fiberglass floor system* which delivers superior rigidity and durability.



FRB-104



Our **SG-140SV** model shares most of the same standard features and specifications as our traditional SG-140 model, but incorporates intercommunicating valves and over-pressure relief valves in all the main air tube chambers. These additions give the end user the ability to inflate the entire boat (except for the keel) from a single inflation point using an SCBA or SCUBA compressed air bottle or tank. It also allows for each chamber to be isolated in the event of damage to one of the chambers. This new inflation system is completely internal so there are no external hoses or hardware to get in the way. Although this is our first offering in the SG-SV series, we anticipate additional features and sizes to be added in the future.



MODEL	COLOR	LENGTH	INSIDE LENGTH	BEAM	INSIDE BEAM	TUBE DIAMETER	WEIGHT	LOAD CAPACITY	PERSON CAPACITY	RECOMMENDED H.P.	MAXIMUM H.P.	AIR CHAMBERS
SG-124	Red	12'4" (375 cm)	8'11" (272 cm)	5'3" (161 cm)	2'6" (75 cm)	17" (43 cm)	175 lbs (79.5 kg)	1460 lbs (660 kg)	5	20 (6-35) Standard	35 Standard	4 & Keel
SG-140	Red	14' (425 cm)	10' (305 cm)	5'9" (175 cm)	2'9" (85 cm)	18" (45 cm)	226 lbs (102.5 kg)	1940 lbs (880 kg)	6	30 (10-50) Long	50 Long	4 & Keel
SG-156	Red	15'6" (473 cm)	10'11" (333 cm)	6'3" (190 cm)	2'11" (90 cm)	20" (50 cm)	272 lbs (123.5 kg)	2800 lbs (1270 kg)	8	35 (10-55) Long	55 Long	5 & Keel
SG-140SV	Black	14' (425 cm)	10' (305 cm)	5'9" (175 cm)	2'9" (85 cm)	18" (45 cm)	236 lbs (107 kg)	1940 lbs (880 kg)	6	30 (10-50) Long	50 Long	4 & Keel

SG STANDARD FEATURES INCLUDE: Achilles CSM reinforced fabric; four-layer seam construction; air keel; aluminum and fiberglass* floorboards with aluminum stringer system; fiberglass encased transom with protective motor clamp plate; fuel tank tie-downs; two (2) bailer valves; full-length teardrop rubbing strake; fold-down locking oar system with two-piece breakdown aluminum oars and oar holders (except SG-156); bow carry handle; lift and carry handles; towing bridle D-rings; helmsman grip; full-length splash guard with life lines; removable wood seat (except SG-156); extra seat attachment patches; large, high-volume foot pump; double carry bag system; and maintenance kit. **SG-124 floorboards are aluminum and wood. SG-140SV STANDARD FEATURES INCLUDE: Achilles CSM reinforced fabric; four-layer seam construction; air keel; aluminum and fiberglass floorboards with aluminum stringer system; fiberglass encased transom with protective motor clamp plate; fuel tank tie-downs; Intercommunicating valves and over-pressure relief valves in all main air tube chambers; two (2) bailer valves; full-length teardrop rubbing strake; fold-down locking oar system with two-piece breakdown aluminum oars and oar holders; bow carry handle; lift and carry handles; towing bridle D-rings; helmsman grip; full-length splash guard with life lines; removable wood seat; extra seat attachment patches; large, high-volume foot pump; double carry bag system; and maintenance kit.

SU 14 | 16 | 18

BUILT TOUGH TO WORK HARD FOR RUGGED PRIVATE AND COMMERCIAL USE

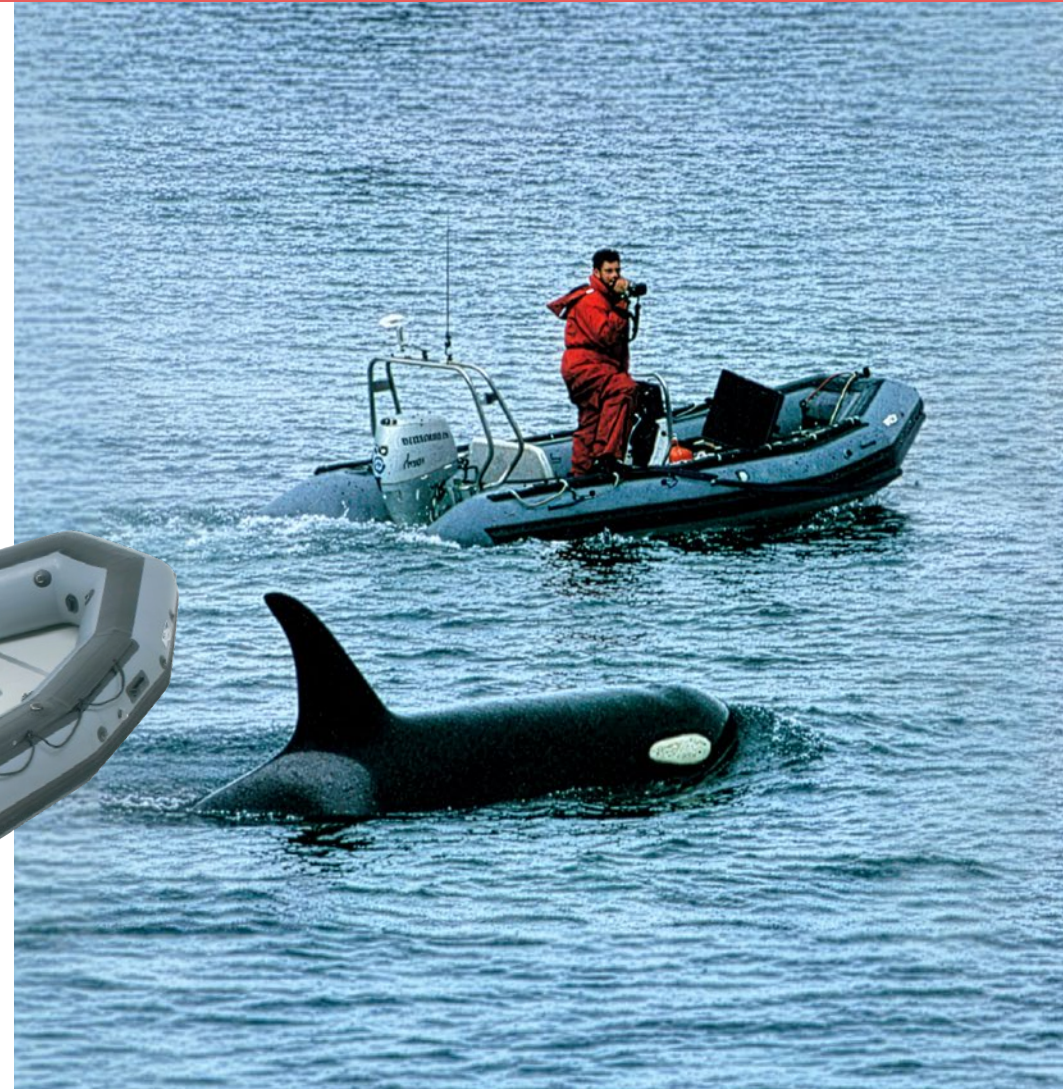
SU boats are made with an additional heavy-duty layer of 840-denier nylon Achilles CSM fabric in a two-ply technique which results in a fabric even stronger than a single base fabric of equal thickness. A number of commercial grade features such as recessed valves and a full-length, protective wear patch combine to make these boats the right choice for the toughest marine uses.



SU-16



SU-16



MODEL	COLOR	LENGTH	INSIDE LENGTH	BEAM	INSIDE BEAM	TUBE DIAMETER	WEIGHT	LOAD CAPACITY	PERSON CAPACITY	RECOMMENDED H.P.	MAXIMUM H.P.	AIR CHAMBERS
SU-14	Gray/Black*	14' (425 cm)	9'4" (284 cm)	5'10" (178 cm)	2'8" (82 cm)	19" (48 cm)	280 lbs (127 kg)	2230 lbs (1010 kg)	6	35 (10-55) Long	55 Long	4 + Keel
SU-16	Gray, Black*	16' (488 cm)	10'10" (330 cm)	6'9" (206 cm)	3'3" (100 cm)	21" (53 cm)	371 lbs (168.5 kg)	3170 lbs (1440 kg)	9	40 (20-75) Long	75 Long	5 + Keel
SU-18	Gray, Black*	18' (549 cm)	12' (366 cm)	7'7" (230 cm)	3'7" (110 cm)	24" (60 cm)	433 lbs (196 kg)	4630 lbs (2100 kg)	11	50 (25-90) Long	90 Long	5 + Keel

SU STANDARD FEATURES INCLUDE: Achilles CSM reinforced fabric; four-layer seam construction; extra durable double layer (840 denier each) nylon core fabric; air keel; aluminum and fiberglass floorboards and heavy duty aluminum stringer system; fiberglass encased transom with aluminum plate and motor pad; fuel tank tie-downs; heavy duty bailer sleeve and two (2) bailer valves; extra-wide, heavy-duty, full-length teardrop rubbing strake; tie-down straps for paddles; bow handle; towing bridle D-rings; lift and carry handles; splash guard with life lines; heavy-duty reinforced cargo wear patch all around; extra tie-down D-rings; heavy duty recessed valves; heavy duty lifting points (hull and transom); two (2) high-volume large foot pumps.

BOATS PARTS

The fabric and construction of Achilles boats deliver long-lasting durability that is hard to match. As a result, longtime Achilles owners may occasionally need to replace parts. If you have any questions about replacement parts or need to place an order, please contact an authorized Achilles dealer. To find a dealer near you, use the dealer locator on our website, where you'll find a full list of our authorized locations.

The selection below is just a small sampling of our most popular O.E.M. parts. A complete parts list is also available on our website.

BAILER & DRAIN VALVS



C447 HV
Ceredi Drain (complete)



C441C
Self Bailer Flapper



C442
HB Inner Hull
Drain Valve (complete)



C441B
Self Bailer Plug



C441A
Self Bailer Valve
with Flapper

PUMPS & ACCESSORIES



BR2, C512
Bravo 1 and
Bravo 2 Foot Pumps



C5102
Rubber Valve
Adaptor



BR9
High Pressure
Foot Pump



C5107
Bravo Valve
Adaptor



E132
Pencil Pressure
Gauge



E135
High Pressure
Dial Gauge

AIR VALVE & PARTS



C342GY
PH Valve (complete)



C349GY
PH Valve Cap



C343N
PH Valve and Cap Strap



C344
PH Valve O-ring



C345GY
PH Valve Casing Ring



C3421
PH Valve Flapper



RF404
SU/Riverboat Valve

ACCESORIES



C416LG
50mm Webbed D-ring



C412, C413, C414
Molded Rubber D-rings
(25mm, 35mm, 50mm in Black/Gray)



DC4126GY
Dinghy Oarlock



ACH12
12mm Eye Bolt



EB501
10mm Eye Wing Bolt



DC4124GY
F-4 Oarlock



C4125SLG
C4125HLG
Seat and Hull Velcro Patches



DC393
Oarlock Screw Cap

	DINGHIES				SPORT TENDERS													
MODEL	LT-2	LT-4	LS2-RU	LS4-RU	LEX-77	LEX-88	LEX-96	SPD-290E	SPD-310E	SPD-330E	LSI-230E	LSI-260E	LSI-290E	LSI-310E	LSI-330E	LSI-360E	LSR-290E	LSR-310E
LENGTH	7'3" (220 cm)	8'6" (260 cm)	7'6" (228 cm)	8'8" (265 cm)	7'7" (230 cm)	8'8" (265 cm)	9'6" (290 cm)	9'6" (290 cm)	10'2" (310 cm)	10'8" (325 cm)	7'7" (230 cm)	8'6" (260 cm)	9'6" (290 cm)	10'2" (310 cm)	10'8" (325 cm)	11'10" (360 cm)	9'6" (290 cm)	10'2" (310 cm)
INSIDE LENGTH	5' (153 cm)	6'2" (188 cm)	5'1" (156 cm)	6'1" (185 cm)	4'11" (149 cm)	5'11" (180 cm)	6'9" (205 cm)	6'9" (205 cm)	7'3" (220 cm)	7'5" (226 cm)	5'1" (155 cm)	6'1" (185 cm)	6'9" (205 cm)	7'3" (220 cm)	7'5" (226 cm)	8'10" (268 cm)	6'9" (205 cm)	7'3" (220 cm)
BEAM	4'1" (124 cm)	4'8" (142 cm)	4'4" (132 cm)	4'8" (142 cm)	4'9" (144 cm)	4'9" (144 cm)	4'9" (144 cm)	5'2" (158 cm)	5'2" (158 cm)	5'6" (168 cm)	4'9" (144 cm)	4'9" (144 cm)	5'2" (158 cm)	5'2" (158 cm)	5'6" (168 cm)	5'6" (168 cm)	5'2" (158 cm)	5'2" (158 cm)
INSIDE BEAM	1'11" (58 cm)	2'2" (66 cm)	2' (62 cm)	2'2" (66 cm)	2'2" (66 cm)	2'2" (66 cm)	2'2" (66 cm)	2'4" (72 cm)	2'4" (72 cm)	2'7" (78 cm)	2'2" (66 cm)	2'2" (66 cm)	2'4" (72 cm)	2'4" (72 cm)	2'7" (78 cm)	2'7" (78 cm)	2'4" (72 cm)	2'4" (72 cm)
TUBE DIAMETER	13" (33 cm)	15" (38 cm)	14" (35 cm)	15" (38 cm)	15.5" (39 cm)	15.5" (39 cm)	15.5" (39 cm)	17" (43 cm)	17" (43 cm)	18" (45 cm)	15.5" (39 cm)	15.5" (39 cm)	17" (43 cm)	17" (43 cm)	18" (45 cm)	18" (45 cm)	17" (43 cm)	17" (43 cm)
HP RATING (REC / RANGE)	3 (2-3) standard	3 (2-3) standard	4 (2-4) standard	4 (2-6) standard	4 (2-4) standard	4 (2-6) standard	6 (4-8) standard	6 (4-8) standard	8 (4-10) standard	15 (4-20) standard	4 (2-4) standard	4 (2-6) standard	6 (4-8) standard	8 (4-10) standard	10 (4-15) standard	20 (4-25) standard	6 (4-8) standard	8 (4-10) standard
MAX ENGINE WEIGHT	44 lbs (20 kg)	44 lbs (20 kg)	55 lbs (25 kg)	66 lbs (30 kg)	55 lbs (25 kg)	66 lbs (30 kg)	88 lbs (40 kg)	88 lbs (40 kg)	110 lbs (50 kg)	121 lbs (55 kg)	55 lbs (25 kg)	66 lbs (30 kg)	88 lbs (40 kg)	110 lbs (50 kg)	110 lbs (50 kg)	154 lbs (70 kg)	88 lbs (40 kg)	110 lbs (50 kg)
HULL WEIGHT	29 lbs (13 kg)	37 lbs (17 kg)	40 lbs (18 kg)	46 lbs (21 kg)	45 lbs (20.5 kg)	49 lbs (22 kg)	52 lbs (23.5 kg)	66 lbs (30 kg)	68 lbs (31 kg)	73 lbs (33 kg)	47 lbs (21.5 kg)	55 lbs (25 kg)	66 lbs (30 kg)	68 lbs (31 kg)	73 lbs (33 kg)	86 lbs (39 kg)	66 lbs (30 kg)	68 lbs (31 kg)
FLOOR WEIGHT	8 lbs (3.5 kg)	20 lbs (9 kg)	17 lbs (7.5 kg)	20 lbs (9 kg)	17 lbs (7.5 kg)	20 lbs (9 kg)	22 lbs (10 kg)	40 lbs (18 kg)	42 lbs (19 kg)	47 lbs (21.5 kg)	8 lbs (3.5 kg)	9 lbs (4 kg)	11 lbs (5 kg)	12 lbs (5.5 kg)	13 lbs (6 kg)	22 lbs (10 kg)	31 lbs (14 kg)	33 lbs (15 kg)
BOAT WEIGHT	37 lbs (16.5 kg)	57 lbs (26 kg)	57 lbs (25.5 kg)	66 lbs (30 kg)	62 lbs (28 kg)	69 lbs (31 kg)	74 lbs (33.5 kg)	106 lbs (48 kg)	110 lbs (50 kg)	120 lbs (54.5 kg)	55 lbs (25 kg)	64 lbs (29 kg)	77 lbs (35 kg)	80 lbs (36.5 kg)	86 lbs (39 kg)	108 lbs (49 kg)	97 lbs (44 kg)	101 lbs (46 kg)
ACCESSORIES WEIGHT	12 lbs (5.5 kg)	17 lbs (7.5 kg)	12 lbs (5.5 kg)	12 lbs (5.5 kg)	15 lbs (7 kg)	12 lbs (5.5 kg)	12 lbs (5.5 kg)	18 lbs (8 kg)	18 lbs (8 kg)	19 lbs (8.5 kg)	17 lbs (7.5 kg)	17 lbs (7.5 kg)	18 lbs (8 kg)	18 lbs (8 kg)	18 lbs (8 kg)	18 lbs (8 kg)	18 lbs (8 kg)	18 lbs (8 kg)
TOTAL WEIGHT	49 lbs (22 kg)	74 lbs (33.5 kg)	69 lbs (31 kg)	78 lbs (35.5 kg)	77 lbs (35 kg)	81 lbs (36.5 kg)	86 lbs (39 kg)	123 lbs (56 kg)	128 lbs (58 kg)	139 lbs (63 kg)	72 lbs (32.5 kg)	80 lbs (36.5 kg)	95 lbs (43 kg)	98 lbs (44.5 kg)	104 lbs (47 kg)	126 lbs (57 kg)	115 lbs (52 kg)	119 lbs (54 kg)
LOAD CAPACITY	640 lbs (290 kg)	970 lbs (440 kg)	620 lbs (280 kg)	840 lbs (380 kg)	730 lbs (330 kg)	900 lbs (410 kg)	990 lbs (450 kg)	1100 lbs (500 kg)	1190 lbs (540 kg)	1300 lbs (590 kg)	710 lbs (320 kg)	820 lbs (370 kg)	1120 lbs (510 kg)	1210 lbs (550 kg)	1340 lbs (610 kg)	1520 lbs (690 kg)	1100 lbs (500 kg)	1190 lbs (540 kg)
PERSON CAPACITY	2	4*	2	4*	2	4*	4	4	4	5	2	4*	4	4	5	6	4	4
NO. AIR CHAMBERS	2	2	2	2	2 & keel	2 & keel	2 & keel	2 & keel	3 & keel	3 & keel	2 & keel & floor	2 & keel & floor	2 & keel & floor	3 & keel & floor	3 & keel & floor	4 & keel & floor	2 & keel	3 & keel
STOWED DIMENSIONS	3'3"x1'6"x9" (100x46x24)	3'3"x1'6"x1'1" (100x46x31)	3'5"x1'10"x10" (103x55x26)	3'5"x1'10"x10" (103x55x26)	3'5"x1'8"x11" (105x52x28)	3'4"x1'11"x11" (102x59x28)	3'5"x2'1"x11" (105x63x28)	3'9"x1'8"x11" (115x52x34)	3'9"x1'11"x11" (115x58x34)	B-4'1"x1'11"x10" / F-3'2"x1'10"x5"	3'5"x1'10"x11" (105x55x27)	3'5"x1'10"x11" (105x55x28)	3'9"x1'10"x11" (115x55x30)	4'2"x1'11"x11" (128x58x30)	4'1"x1'11"x10" (125x58x26)	4'2"x2'1"x12" (128x60x35)	3'9"x2'1"x13" (115x63x39)	3'9"x2'1"x13" (115x63x39)

	RIGID HULLS										SPORT UTILITY									
MODEL	HB270-FX	HB300-FX	HB240-LX	HB280-LX	HB315-LX	HB350-LX	HB280-DX	HB315-DX	HB350-DX	HB385-DX	FRB-104	FRB-124	SGX-122	SGX-132	SG-124	SG-140	SG-156	SU-14	SU-16	SU-18
LENGTH	8'10" (270 cm)	9'10" (300 cm)	7'10" (240 cm)	9'2" (280 cm)	10'4" (315 cm)	11'6" (350 cm)	9'2" (280 cm)	10'4" (315 cm)	11'6" (350 cm)	12'8" (385 cm)	10'4" (315 cm)	12'4" (375 cm)	12'2" (365 cm)	13'2" (400 cm)	12'4" (375 cm)	14' (425 cm)	15'6" (473 cm)	14' (425 cm)	16' (488 cm)	18' (549 cm)
INSIDE LENGTH	5'11" (180 cm)	6'9" (205 cm)	5'8" (172 cm)	6'7" (201 cm)	7'9" (235 cm)	8'8" (264 cm)	6'7" (201 cm)	7'9" (235 cm)	8'8" (264 cm)	9'10" (300 cm)	7'3" (220 cm)	8'11" (272 cm)	8'10" (268 cm)	9'4" (284 cm)	8'11" (272 cm)	10' (305 cm)	10'11" (333 cm)	9'4" (284 cm)	10'10" (330 cm)	12' (366 cm)
BEAM	5'1" (156 cm)	5'4" (162 cm)	5' (153 cm)	5'5" (166 cm)	5'5" (166 cm)	5'9" (175 cm)	5'5" (166 cm)	5'5" (166 cm)	5'9" (175 cm)	5'11" (180 cm)	5'2" (158 cm)	5'3" (161 cm)	5'6" (168 cm)	5'9" (175 cm)	5'3" (161 cm)	5'9" (175 cm)	6'3" (190 cm)	5'10" (178 cm)	6'9" (206 cm)	7'7" (230 cm)
INSIDE BEAM	2'3" (70 cm)	2'4" (72 cm)	2'5" (73 cm)	2'7" (80 cm)	2'7" (80 cm)	2'9" (85 cm)	2'7" (80 cm)	2'7" (80 cm)	2'9" (85 cm)	2'11" (90 cm)	2'4" (72 cm)	2'6" (75 cm)	2'7" (78 cm)	2'9" (85 cm)	2'6" (75 cm)	2'9" (85 cm)	2'11" (90 cm)	2'8" (82 cm)	3'3" (100 cm)	3'7" (110 cm)
TUBE DIAMETER	17" (43 cm)	18" (45 cm)	16" (40 cm)	17" (43 cm)	17" (43 cm)	18" (45 cm)	17" (43 cm)	17" (43 cm)	18" (45 cm)	18" (45 cm)	17" (43 cm)	17" (43 cm)	18" (45 cm)	18" (45 cm)	17" (43 cm)	18" (45 cm)	20" (50 cm)	19" (48 cm)	21" (53 cm)	24" (60 cm)
HP RATING (REC / RANGE)	6 (4-8) standard	8 (4-10) standard	5 (2-5) standard	8 (4-10) standard	10 (4-15) standard	15 (6-20) standard	10 (4-15)** standard	15 (6-20) standard	25 (6-30) long	30 (20-40) long	10 (4-15) standard	15 (4-25) standard	20 (6-35) standard	30 (10-40) long	20 (6-35) standard	30 (10-50) long	35 (10-55) long	35 (10-55) long	40 (20-75) long	50 (25-90) long
MAX ENGINE WEIGHT	88 lbs (40 kg)	110 lbs (50 kg)	66 lbs (30 kg)	110 lbs (50 kg)	110 lbs (50 kg)	121 lbs (55 kg)	110 lbs (50 kg)	121 lbs (55 kg)	172 lbs (78 kg)	209 lbs (95 kg)	110 lbs (50 kg)	154 lbs (70 kg)	176 lbs (80 kg)	209 lbs (95 kg)	176 lbs (80 kg)	243 lbs (110 kg)	265 lbs (120 kg)	265 lbs (120 kg)	353 lbs (160 kg)	375 lbs (170 kg)
HULL WEIGHT	86 lbs (39 kg)	91 lbs (41.5 kg)	86 lbs (39 kg)	118 lbs (53.5 kg)	128 lbs (58 kg)	161 lbs (73 kg)	160 lbs (73 kg)	167 lbs (80 kg)	211 lbs (96 kg)	256 lbs (116 kg)	75 lbs (34 kg)	108 lbs (49 kg)	99 lbs (45 kg)	112 lbs (51 kg)	106 lbs (48 kg)	122 lbs (55.5 kg)	151 lbs (68.5 kg)	172 lbs (78 kg)	231 lbs (105 kg)	265 lbs (120 kg)
FLOOR WEIGHT	—	—	—	—	—	—	—	—	—	—	33 lbs (15 kg)	46 lbs (21 kg)	68 lbs (31 kg)	75 lbs (34 kg)	69 lbs (31.5 kg)	104 lbs (47 kg)	121 lbs (55 kg)	108 lbs (49 kg)	140 lbs (63.5 kg)	168 lbs (76 kg)
BOAT WEIGHT	86 lbs (39 kg)	91 lbs (41.5 kg)	86 lbs (39 kg)	118 lbs (53.5 kg)	128 lbs (58 kg)	161 lbs (73 kg)	160 lbs (73 kg)	167 lbs (80 kg)	211 lbs (96 kg)	256 lbs (116 kg)	108 lbs (49 kg)	154 lbs (70 kg)	167 lbs (76 kg)	187 lbs (85 kg)	175 lbs (79.5 kg)	226 lbs (102.5 kg)	272 lbs (123.5 kg)	280 lbs (127 kg)	371 lbs (168.5 kg)	433 lbs (196 kg)
ACCESSORIES WEIGHT	17 lbs (7.5 kg)	17 lbs (7.5 kg)	11 lbs (5 kg)	12 lbs (5.5 kg)	12 lbs (5.5 kg)	13 lbs (6 kg)	12 lbs (5.5 kg)	12 lbs (5.5 kg)	13 lbs (6 kg)	13 lbs (6 kg)	20 lbs (9 kg)	20 lbs (9 kg)	21 lbs (9.5 kg)	25 lbs (11.5 kg)	20 lbs (9 kg)	20 lbs (9 kg)	15 lbs (7 kg)	7 lbs (3 kg)	7 lbs (3 kg)	7 lbs (3 kg)
TOTAL WEIGHT	103 lbs (46.5 kg)	108 lbs (49 kg)	97 lbs (44 kg)	130 lbs (59 kg)	140 lbs (63.5 kg)	174 lbs (79 kg)	160 lbs (72.5 kg)	171 lbs (77.5 kg)	211 lbs (96 kg)	256 lbs (116 kg)	128 lbs (58 kg)	174 lbs (79 kg)	188 lbs (85.5 kg)	212 lbs (96.5 kg)	195 lbs (88.5 kg)	246 lbs (111.5 kg)	287 lbs (130.5 kg)	287 lbs (130 kg)	378 lbs (171.5 kg)	440 lbs (199 kg)
LOAD CAPACITY	1010 lbs (460 kg)	1260 lbs (570 kg)	900 lbs (410 kg)	1210 lbs (550 kg)	1320 lbs (600 kg)	1680 lbs (760 kg)	1190 lbs (540 kg)	1300 lbs (590 kg)	1650 lbs (750 kg)	1790 lbs (810 kg)	1210 lbs (550 kg)	1480 lbs (670 kg)	1520 lbs (690 kg)	1760 lbs (800 kg)	1460 lbs (660 kg)	1940 lbs (880 kg)	2800 lbs (1270 kg)	2230 lbs (1010 kg)	3170 lbs (1440 kg)	4630 lbs (2100 kg)
PERSON CAPACITY	4	4	3	4	5	6	4	5	6	7	4	5	6	6	5	6	8	6	9	11
NO. AIR CHAMBERS	3	3	2	3	3	3	3	3	3	4	2 & keel	4 & keel	4 & keel	4 & keel	4 & keel	4 & keel	5 & keel	4 & keel	5 & keel	5 & keel
STOWED DIMENSIONS	6'11"x3'5"x1'1" (210x105x33)	7'9"x3'5"x1'1" (235x105x33)	7'5"x3'5"x1'6" (225x105x46)	8'8"x3'5"x6" (265x105x46)	9'8"x3'5"x1'6" (295x105x46)	10'10"x3'7"x1'8" (330x110x51)	8'8"x3'5"x1'6" (265x105x46)	9'8"x3'5"x1'6" (295x105x46)	10'10"x3'7"x2'1" (330x110x63)	11'10"x3'11"x2'2" (360x120x65)	4'1"x2'1"x1'3" (125x63x39)	4'5"x2'6"x2" (135x75x60)	B-4'2"x2'x1" / F-3'1"x2'2"x7"	B-4'3"x2'x1'2" / F-3'5"x2'5"x7"	B-4'1"x2'2"x1'2" / F-3'1"x2'2"x6"	B-4'6"x2'2"x1'2" / F-3'5"x2'6"x8"	B-5'x2'4"x1'2" / F-3'7"x2'6"x8"	B-5'4"x2'5"x1'5" / F-3'4"x2'6"x8"	B-5'10"x2'10"x1'4" / F-3'11"x2'9"x8"	B-6'3"x3'3"x1'4" / F-4'4"x3'1"x8"



www.achillesboats.com

ACHILLES INFLATABLE BOATS
A Division of Achilles USA, Inc.

HEADQUARTERS

1407 80th Street SW, Everett, WA 98203
Email: boats@achillesusa.com

EAST COAST SALES OFFICE

(425) 513-6419

WEST COAST SALES OFFICE

(425) 438-4546

MANUFACTURED BY:

Achilles Corporation
Shinjuku Front Tower
2-21-1, Kita-Shinjuku, Shinjuku-ku,
Tokyo, 169-0074
Japan



Sea Legends

6a, 2 Resolution Drive,
Caringbah N.S.W. 2229
Australia
Phone: (61)2 9698 8022
Email: info@sealegends.com.au
<https://www.sealegends.com.au/>



Achilles boats are manufactured to meet or exceed ISO-6185 standards for inflatable boats. This ensures that they are manufactured to the safety and production manufacturing processes associated with those standards. They are also Transport Canada approved.